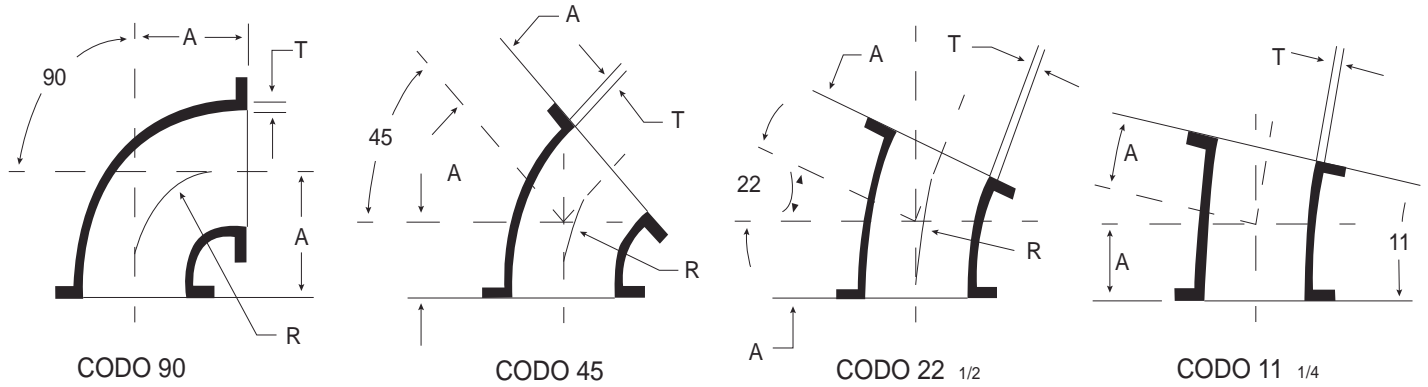
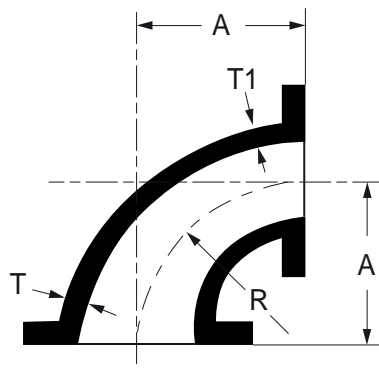


CODOS



Diámetro Nominal	Dimensiones Generales									Peso			
	Codo de 90°		Codo de 45°		Codo de 22 1/2°		Codo de 11 1/4°		Espesor T	Codo de 90°	Codo de 45°	Codo de 22 1/2°	Codo de 11 1/4°
	A	R	A	R	A	R	A	R					
Pulgadas	Pulgadas									Kilogramos			
2	4.50	3.00	2.50	2.41	2.50	6.04	2.50	12.69	0.31	7.26	5.44	5.44	5.44
2 1/2	5.00	3.50	3.00	3.00	3.00	6.80	2.75	13.97	0.35	9.07	7.26	7.26	7.26
3	5.50	4.00	3.00	3.62	3.00	7.56	3.00	15.25	0.48	11.34	9.07	9.07	9.07
4	6.50	4.50	4.00	4.81	4.00	10.06	4.00	20.31	0.52	20.41	18.14	18.14	18.14
6	8.00	6.00	5.00	7.25	5.00	15.06	5.00	30.50	0.55	29.48	24.95	24.95	24.95
8	9.00	7.00	5.50	8.44	5.50	17.62	5.50	35.50	0.60	47.63	40.82	40.82	40.82
10	11.00	9.00	6.50	10.88	6.50	22.62	6.50	45.69	0.68	74.84	58.97	61.23	61.23
12	12.00	10.00	7.50	13.25	7.50	27.62	7.50	55.81	0.75	106.59	88.45	92.99	92.99
14	14.00	11.50	7.50	12.06	7.50	25.12	7.50	50.75	0.66	131.54	99.79	102.06	102.06
16	15.00	12.50	8.00	13.25	8.00	27.62	8.00	55.81	0.70	167.83	127.01	129.27	129.27
18	16.50	14.00	8.50	14.50	8.50	30.19	8.50	60.94	0.75	204.12	147.42	151.95	151.95
20	18.00	15.50	9.50	16.88	9.50	35.19	9.50	71.06	0.80	263.08	195.04	197.31	197.31
24	22.00	18.50	11.00	18.12	11.00	37.69	11.00	76.12	0.89	408.23	285.76	290.30	292.57
30	25.00	21.50	15.00	22.75	15.00	57.81	15.00	116.75	1.03	648.63	508.02	514.82	521.63
36	28.00	24.50	18.00	35.00	18.00	72.88	18.00	147.25	1.15	968.41	796.05	811.93	818.73
42	31.00	27.50	21.00	42.25	21.00	88.00	21.00	177.69	1.28	1385.72	1179.33	1208.82	1215.62
48	34.00	30.50	24.00	49.50	24.00	103.06	24.00	208.12	1.42	1857.45	1623.85	1662.41	1676.02
54	39.00	34.50	20.50	42.32	-	-	-	-	0.90	1696.43	1240.57	-	-

CODO REDUCTOR DE 90°

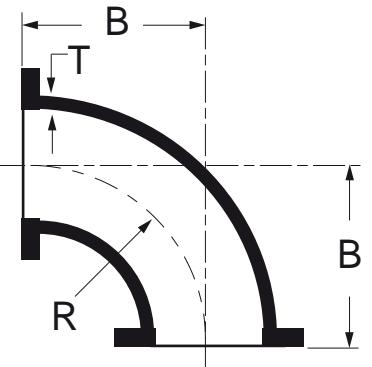


Diámetro Nominal		Dimensiones Generales				Peso
		A	R	T	T1	
Pulgadas	Milímetros	Pulgadas				Kilogramos
3 x 2	75 x 50	5.60	4.00	0.48	0.31	10
4 x 3	100 x 75	6.50	4.50	0.52	0.48	13
6 x 3	150 x 75	8.00	6.00	0.55	0.48	25
6 x 4	150 x 100	8.00	6.00	0.55	0.52	25
8 x 4	200 x 100	9.00	7.00	0.60	0.52	34
8 x 6	200 x 150	9.00	7.00	0.60	0.55	39
10 x 4	250 x 100	11.00	9.00	0.68	0.52	59
10 x 6	250 x 150	11.00	9.00	0.68	0.55	61
10 x 8	250 x 200	11.00	9.00	0.68	0.60	68
12 x 4	300 x 100	12.00	10.00	0.75	0.52	64
12 x 6	300 x 150	12.00	10.00	0.75	0.55	73
12 x 8	300 x 200	12.00	10.00	0.75	0.60	82
12 x 10	300 x 250	12.00	10.00	0.75	0.68	91
14 x 6	350 x 150	14.00	11.50	0.66	0.55	65
14 x 8	350 x 200	14.00	11.50	0.66	0.60	98
14 x 10	350 x 250	14.00	11.50	0.66	0.68	109
14 x 12	350 x 300	14.00	11.50	0.66	0.75	122
16 x 6	400 x 150	15.00	12.50	0.70	0.55	100
16 x 8	400 x 200	15.00	12.50	0.70	0.60	109
16 x 10	400 x 250	15.00	12.50	0.70	0.68	127
16 x 12	400 x 300	15.00	12.50	0.70	0.75	141
16 x 14	400 x 350	15.00	12.50	0.70	0.66	152
18 x 6	450 x 150	16.50	14.00	0.75	0.55	118
18 x 8	450 x 200	16.50	14.00	0.75	0.60	150
18 x 10	450 x 250	16.50	14.00	0.75	0.68	150
18 x 12	450 x 300	16.50	14.00	0.75	0.75	159
18 x 14	450 x 350	16.50	14.00	0.75	0.66	175
18 x 16	450 x 400	16.50	14.00	0.75	0.70	191
20 x 6	500 x 150	18.00	15.50	0.80	0.55	145
20 x 8	500 x 200	18.00	15.50	0.80	0.60	156
20 x 10	500 x 250	18.00	15.50	0.80	0.68	202
20 x 12	500 x 300	18.00	15.50	0.80	0.75	188
20 x 14	500 x 350	18.00	15.50	0.80	0.66	206
20 x 16	500 x 400	18.00	15.50	0.80	0.70	225
20 x 18	500 x 450	18.00	15.50	0.80	0.75	238

Diámetro Nominal		Dimensiones Generales				Peso
		A	R	T	T1	
Pulgadas	Milímetros	Pulgadas				Kilogramos
24 x 6	600 x 150	22.00	18.50	0.89	0.55	218
24 x 8	600 x 200	22.00	18.50	0.89	0.60	229
24 x 10	600 x 250	22.00	18.50	0.89	0.68	247
24 x 12	600 x 300	22.00	18.50	0.89	0.75	261
24 x 14	600 x 350	22.00	18.50	0.89	0.66	288
24 x 16	600 x 400	22.00	18.50	0.89	0.70	311
24 x 18	600 x 450	22.00	18.50	0.89	0.75	306
24 x 20	600 x 500	22.00	18.50	0.89	0.80	336
30 x 12	750 x 300	25.00	21.50	1.03	0.75	381
30 x 14	750 x 350	25.00	21.50	1.03	0.66	494
30 x 16	750 x 400	25.00	21.50	1.03	0.70	408
30 x 18	750 x 450	25.00	21.50	1.03	0.75	445
30 x 20	750 x 500	25.00	21.50	1.03	0.80	485
30 x 24	750 x 450	25.00	21.50	1.03	0.89	547
36 x 12	900 x 300	28.00	24.50	1.15	0.75	542
36 x 14	900 x 350	28.00	24.50	1.15	0.66	551
36 x 16	900 x 400	28.00	24.50	1.15	0.70	569
36 x 18	900 x 450	28.00	24.50	1.15	0.75	587
36 x 20	900 x 500	28.00	24.50	1.15	0.80	617
36 x 24	900 x 600	28.00	24.50	1.15	0.89	689
36 x 30	900 x 750	28.00	24.50	1.15	1.03	810
42 x 12	1050 x 300	31.00	27.50	1.28	0.75	751
42 x 14	1050 x 350	31.00	27.50	1.28	0.66	760
42 x 16	1050 x 400	31.00	27.50	1.28	0.70	778
42 x 18	1050 x 450	31.00	27.50	1.28	0.75	796
42 x 20	1050 x 500	31.00	27.50	1.28	0.80	860
42 x 24	1050 x 600	31.00	27.50	1.28	0.89	898
42 x 30	1050 x 750	31.00	27.50	1.28	1.03	1064
42 x 36	1050 x 900	31.00	27.50	1.28	1.15	1538
48 x 12	1200 x 300	34.00	30.50	1.42	0.75	987
48 x 14	1200 x 350	34.00	30.50	1.42	0.66	996
48 x 16	1200 x 400	34.00	30.50	1.42	0.70	1014
48 x 18	1200 x 450	34.00	30.50	1.42	0.75	1032
48 x 20	1200 x 500	34.00	30.50	1.42	0.80	1061
48 x 24	1200 x 600	34.00	30.50	1.42	0.89	1470
48 x 30	1200 x 750	34.00	30.50	1.42	1.30	1633
48 x 36	1200 x 900	34.00	30.50	1.42	1.15	1476
48 x 42	1200 x 1050	34.00	30.50	1.42	1.28	2125

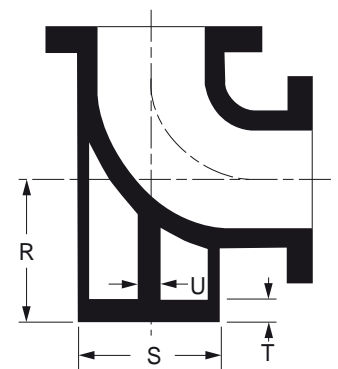
CODO RADIO AMPLIO

Diámetro Nominal		Dimensiones Generales			Peso
		Pulgadas			Kilogramos.
Pulgadas	Milímetros	B	R	T	
3	75	7.75	6.25	0.48	14
4	100	9.00	7.00	0.52	23
6	150	11.50	9.50	0.55	36
8	200	14.00	12.00	0.60	64
10	250	16.50	14.50	0.68	98
12	300	19.00	17.00	0.75	147
14	350	21.50	19.00	0.66	175
16	400	24.00	21.50	0.70	229
18	450	26.50	24.00	0.75	286
20	500	29.00	26.50	0.80	367
24	600	34.00	30.50	0.89	562
30	750	41.50	38.00	1.03	955
36	900	49.00	45.50	1.15	1490
42	1050	56.50	53.00	1.28	2207
48	1200	64.00	60.50	1.42	3080



CODO CON BASE

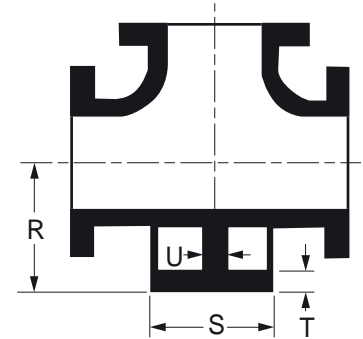
Diámetro Nominal		Dimensiones Generales				Peso	
		R	S	T	U	Codo con Base	Solo la Base
Pulgadas	Milímetros	Pulgadas				Kilogramos	
3	75	4.88	5.00	0.56	0.50	16	5
4	100	5.50	6.00	0.62	0.50	25	5
6	150	7.00	7.00	0.69	0.62	39	9
8	200	8.38	9.00	0.94	0.88	66	18
10	250	9.75	9.00	0.94	0.88	95	20
12	300	11.25	11.00	1.00	1.00	136	29
14	350	12.50	11.00	1.00	1.00	163	32
16	400	13.75	11.00	1.00	1.00	202	34
18	450	15.00	13.50	1.12	1.12	256	52
20	500	16.00	13.50	1.12	1.12	318	54
24	600	18.50	13.50	1.12	1.12	467	59
30	750	23.00	16.00	1.19	1.15	737	86
36	900	26.00	19.00	1.25	1.15	1082	113
42	1050	30.00	23.50	1.44	1.28	1572	186
48	1200	34.00	25.00	1.56	1.42	1955	234



Nota: Las dimensiones que se muestran son de la base, para consultar dimensiones de la pieza consultar la pagina 7.

TEE CON BASE

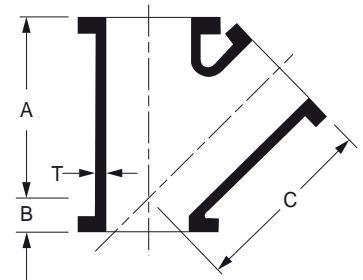
Diámetro Nominal		Dimensiones Generales				Peso	
		Pulgadas				Kilogramos	
Pulgadas	Milímetros	R	S	T	U	Tee con Base	Solo la Base
3	75	4.88	5.00	0.56	0.50	20	2
4	100	5.50	6.00	0.62	0.50	34	5
6	150	7.00	7.00	0.69	0.62	50	7
8	200	8.38	9.00	0.94	0.88	84	14
10	250	9.75	9.00	0.94	0.88	136	14
12	300	11.25	11.00	1.00	1.00	195	20
14	350	12.50	11.00	1.00	1.00	220	23
16	400	13.75	11.00	1.00	1.00	272	23
18	450	15.00	13.50	1.12	1.12	336	34
20	500	16.00	13.50	1.12	1.12	422	34
24	600	18.50	13.50	1.12	1.12	640	36
30	750	23.00	16.00	1.19	1.15	1030	54
36	900	26.00	19.00	1.25	1.15	1506	73
42	1050	30.00	23.50	1.44	1.28	2654	122
48	1200	34.00	25.00	1.56	1.42	3502	152



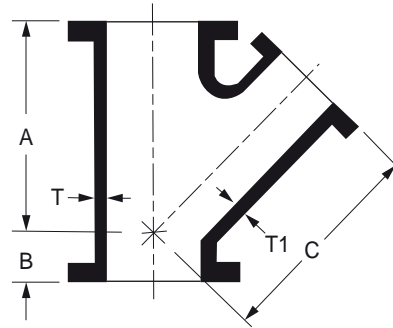
Nota: Las dimensiones que se muestran son de la base para consultar dimensiones de la pieza consultar las páginas 3, 4 y 5.

LATERAL DE 45°

Diámetro Nominal		Dimensiones Generales				Peso
		Pulgadas				Kilogramos
Pulgadas	Milímetros	A	B	C	T	
3	75	10.00	3.00	10.00	0.48	20
4	100	12.00	3.00	12.00	0.52	34
6	150	14.50	3.50	14.50	0.55	54
8	200	17.50	4.50	17.50	0.60	91
10	250	20.50	5.00	20.50	0.68	16
12	300	24.50	5.50	24.50	0.75	234
14	350	27.00	6.00	27.00	0.66	274
16	400	30.00	6.50	30.00	0.70	365
18	450	2.00	7.00	32.00	0.75	445
20	500	35.00	8.00	35.00	0.80	574
24	600	40.50	9.00	40.50	0.89	864
30	750	52.50	18.30	52.50	1.03	1463
36	900	60.00	19.50	60.00	1.15	2604
42	1050	71.00	15.00	71.00	1.28	4159
48	1200	77.00	16.00	77.00	1.42	5488



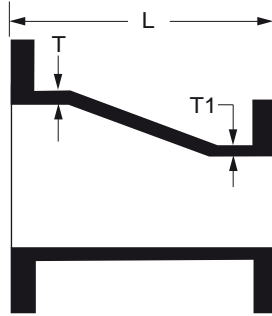
LATERAL REDUCTORA DE 45°



Diámetro Nominal		Dimensiones Generales					Peso
Pulgadas	Milímetros	A	B	C	T	T1	Kilogramos
4 x 3	100 x 75	12.00	3.00	12.00	0.52	0.48	29
6 x 3	150 x 75	14.50	3.50	14.50	0.55	0.48	45
6 x 4	150 x 100	1.50	3.50	14.50	0.55	0.52	52
8 x 4	200 x 100	17.50	4.50	17.50	0.60	0.52	82
8 x 6	200 x 150	17.50	4.50	17.50	0.60	0.55	86
10 x 4	250 x 100	20.50	5.00	20.50	0.68	0.52	118
10 x 6	250 x 150	20.50	5.00	20.50	0.68	0.55	122
10 x 8	250 x 200	20.50	5.00	20.50	0.68	0.60	134
12 x 4	300 x 100	24.50	5.50	24.50	0.75	0.52	172
12 x 6	300 x 150	24.50	5.50	24.50	0.75	0.55	179
12 x 8	300 x 200	24.50	5.50	24.50	0.75	0.60	191
12 x 10	300 x 250	24.50	5.50	24.50	0.75	0.68	206
14 X 4	350 X 100	27.00	6.00	27.00	0.66	0.52	229
14 x 6	350 x 150	27.00	6.00	27.00	0.66	0.55	236
14 x 8	350 x 200	27.00	6.00	27.00	0.66	0.60	247
14 x 10	350 x 250	27.00	6.00	27.00	0.66	0.68	263
14 x 12	350 x 300	27.00	6.00	27.00	0.66	0.75	281
16 X 4	400 X 100	27.00	6.00	27.00	0.70	0.52	302
16 x 6	400 x 150	30.00	6.50	30.00	0.70	0.55	308
16 x 8	400 x 200	30.00	6.50	30.00	0.70	0.60	322
16 x 10	400 x 250	30.00	6.50	30.00	0.70	0.68	336
16 x 12	400 x 300	30.00	6.50	30.00	0.70	0.75	356
16 x 14	400 x 350	30.00	6.50	30.00	0.70	0.66	376
18 X 4	450 X 100	25.00	1.00	27.50	0.75	0.52	125
18 x 6	450 x 150	25.00	1.00	27.50	0.75	0.55	204
18 x 8	450 x 200	25.00	1.00	27.50	0.75	0.60	283
18 x 10	450 x 250	32.00	7.00	32.00	0.75	0.68	401
18 x 12	450 x 300	32.00	7.00	32.00	0.75	0.75	422
18 x 14	450 x 350	32.00	7.00	32.00	0.75	0.66	442
18 x 16	450 x 400	32.00	7.00	32.00	0.75	0.70	465
20 X 4	500 X 100	27.00	1.00	29.50	0.80	0.52	322
20 x 6	500 x 150	24.00	1.00	29.50	0.80	0.55	327
20 x 8	500 x 200	29.00	1.00	29.50	0.80	0.60	336
20 x 10	500 x 250	27.00	1.00	29.50	0.80	0.68	365
20 x 12	500 x 300	35.00	8.00	35.00	0.80	0.75	503
20 x 14	500 x 350	35.00	8.00	35.00	0.80	0.66	551
20 x 16	500 x 400	35.00	8.00	35.00	0.70	0.70	576
20 x 18	500 x 450	35.00	8.00	35.00	0.75	0.75	596

Diámetro Nominal		Dimensiones Generales					Peso
Pulgadas	Milímetros	A	B	C	T	T1	Kilogramos
24 X 4	600 X 100	31.50	0.50	34.50	0.89	0.52	358
24 x 6	600 x 150	31.50	0.50	34.50	0.89	0.55	481
24 x 8	600 x 200	31.50	0.50	34.50	0.89	0.60	490
24 x 10	600 x 250	31.50	0.50	34.50	0.89	0.68	501
24 x 12	600 x 300	31.50	0.50	34.50	0.89	0.75	544
24 x 14	600 x 350	40.50	0.90	40.50	0.89	0.66	794
24 x 16	600 x 400	40.50	9.00	40.50	0.89	0.70	819
24 x 18	600 x 450	40.50	9.00	40.50	0.89	0.75	841
24 x 20	600 x 500	40.50	9.00	40.50	0.89	0.80	875
30 x 12	750 x 300	49.00	10.00	49.00	1.03	0.75	1268
30 x 14	750 x 350	49.00	10.00	49.00	1.03	0.66	1293
30 x 16	750 x 400	49.00	10.00	49.00	1.03	0.70	1318
30 x 18	750 x 450	49.00	10.00	49.00	1.03	0.75	1343
30 x 20	750 x 500	49.00	10.00	49.00	1.03	0.80	1379
30 x 24	750 x 450	49.00	10.00	49.00	1.03	0.89	1454
36 x 12	900 x 300	60.00	19.50	60.00	1.15	0.75	2037
36 x 14	900 x 350	60.00	19.50	60.00	1.15	0.66	2062
36 x 16	900 x 400	54.00	15.30	54.00	1.15	0.70	2021
36 x 18	900 x 450	54.00	15.30	54.00	1.15	0.75	2043
36 x 20	900 x 500	54.00	15.30	54.00	1.15	0.80	2075
36 x 24	900 x 600	54.00	15.30	54.00	1.15	0.89	2143
36 x 30	900 x 750	56.00	15.30	56.00	1.15	1.03	2359
42 x 12	1050 x 300	68.50	21.00	68.50	1.28	0.75	2597
42 x 14	1050 x 350	68.50	21.00	68.50	1.28	0.66	2631
42 x 16	1050 x 400	68.50	21.00	68.50	1.28	0.70	2654
42 x 18	1050 x 450	68.50	21.00	68.50	1.28	0.75	2722
42 x 20	1050 x 500	60.00	12.00	60.00	1.28	0.80	2771
42 x 24	1050 x 600	60.00	12.00	60.00	1.28	0.89	2837
42 x 30	1050 x 750	63.00	12.00	63.00	1.28	1.03	3109
42 x 36	1050 x 900	66.00	12.00	66.00	1.28	1.15	3470
48 x 12	1200 x 300	77.00	22.50	77.00	1.42	0.75	3266
48 x 14	1200 x 350	77.00	22.50	77.00	1.42	0.66	3300
48 x 16	1200 x 400	77.00	22.60	77.00	1.42	0.70	3357
48 x 18	1200 x 450	65.00	9.00	65.00	1.42	0.75	3456
48 x 20	1200 x 500	65.00	9.00	65.00	1.42	0.80	3486
48 x 24	1200 x 600	58.00	5.00	64.00	1.42	0.89	3103
48 x 30	1200 x 750	63.00	9.00	68.00	1.42	1.03	3636
48 x 36	1200 x 900	69.00	7.00	72.00	1.42	1.15	4069
48 x 42	1200 x 1050	77.00	12.00	77.00	1.42	1.28	4994

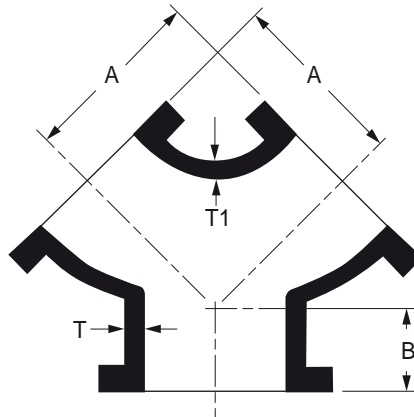
REDUCCION EXCENTRICA



Diámetro Nominal		Dimensiones Generales			Peso
Pulgadas	Milímetros	L	T	T1	Kilogramos
3 X 2	75 X 50	6	0.48	0.31	7
3 X 2.5	75 X 63	6	0.48	0.31	10
4 X 2	100 X 50	7	0.52	0.31	11
4 X 2.5	100 X 63	7	0.52	0.31	13
4 X 3	100 X 75	7	0.52	0.48	14
6 X 2	150 X 20	9	0.55	0.31	16
6 X 2.5	150 X 63	9	0.55	0.31	17
6 X 3	150 X 75	9	0.55	0.48	18
6 X 4	150 X 100	9	0.55	0.52	20
6 X 4	150 X 100	11	0.60	0.52	29
8 X 6	200 X 150	11	0.60	0.55	34
8 X 4	200 X 100	12	0.68	0.52	39
10 X 6	250 X 150	12	0.68	0.55	0
10 X 8	250 X 200	12	0.68	0.60	50
10 X 4	250 X 100	14	0.75	0.52	54
12 X 6	300 X 150	14	0.75	0.55	59
12 X 8	300 X 200	14	0.75	0.60	66
12 X 10	300 X 250	14	0.75	0.68	77
12 X 6	300 X 150	16	0.66	0.55	70
14 X 8	350 X 200	16	0.66	0.60	8
14 X 10	350 X 250	16	0.66	0.68	86
14 X 12	350 X 300	16	0.66	0.75	100
16 X 6	400 X 150	18	0.70	0.55	86
16 X 8	400 X 200	18	0.70	0.60	95
16 X 10	400 X 250	18	0.70	0.68	107
16 X 12	400 X 300	18	0.70	0.75	120
16 X 14	400 X 350	18	0.70	0.66	127

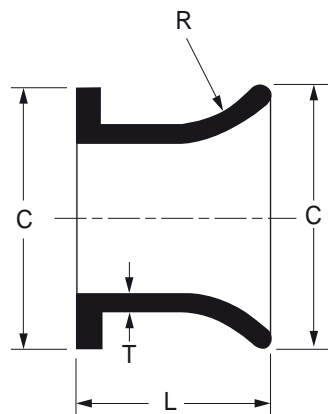
Diámetro Nominal		Dimensiones Generales			Peso
Pulgadas	Milímetros	L	T	T1	Kilogramos
18 X 8	450 X 200	19	0.75	0.60	109
18 X 10	450 X 250	19	0.75	0.68	120
18 X 12	450 X 300	19	0.75	0.75	134
18 X 14	450 X 350	19	0.75	0.66	141
18 X 16	450 X 400	19	0.75	0.70	109
20 X 10	500 X 250	20	0.75	0.68	95
20 X 12	500 X 300	20	0.80	0.75	111
20 X 14	500 X 350	20	0.80	0.66	116
20 X 16	500 X 400	20	0.80	0.70	132
20 X 18	500 X 450	20	0.80	0.75	186
24 X 12	600 X 300	24	0.89	0.75	218
24 X 14	600 X 350	24	0.89	0.66	41
24 X 16	600 X 400	24	0.89	0.70	238
24 X 18	600 X 450	24	0.89	0.75	249
24 X 20	600 X 500	24	0.89	0.80	132
30 X 18	750 X 450	30	1.03	0.75	367
30 X 20	750 X 500	30	1.03	0.80	395
30 X 24	750 X 600	30	1.03	0.89	440
36 X 20	900 X 500	36	1.15	0.80	558
36 X 24	900 X 600	36	1.15	0.89	610
36 X 30	900 X 750	36	1.15	1.03	705
42 X 24	1050 X 600	42	1.28	0.89	826
42 X 30	1050 X 750	42	1.28	1.03	934
42 X 36	1050 X 900	42	1.28	1.15	1064
48 X 30	1200 X 750	48	1.42	1.03	1191
48 X 36	1200 X 900	48	1.42	1.15	1338
48 X 42	1200 X 1050	48	1.42	1.28	1506

YEE VERDADERA



Diámetro Nominal		Dimensiones Generales				Peso
		A	B	T	T1	
Pulgadas	Milímetros	Pulgadas				Kilogramos
3 X 3	75 X 50	5.50	3.00	0.48	0.48	14
4 X 4	100 X 100	6.50	3.00	0.52	0.52	25
6 X 4	150 X 100	6.50	3.50	0.55	0.52	27
6 X 6	150 X 150	8.00	3.50	0.55	0.55	39
8 X 6	200 X 150	8.00	4.50	0.60	0.55	45
8 X 8	200 X 200	9.00	4.50	0.60	0.60	64
10 X 8	250 X 250	9.00	5.00	0.68	0.60	70
10 X 10	250 X 250	11.00	5.00	0.68	0.68	84
12 X 8	300 X 200	9.00	5.50	0.75	0.60	95
12 X 12	300 X 300	12.00	5.50	0.75	0.75	136
14 X 14	350 X 350	14.00	6.00	0.66	0.66	197
16 X 16	400 X 400	15.00	6.50	0.70	0.70	263
18 X 18	450 X 450	16.50	7.00	0.75	0.75	308
20 X 20	500 X 500	18.00	8.00	0.80	0.80	435
24 X 24	600 X 600	22.00	9.00	0.89	0.89	621
30 X 18	750 X 450	25.00	10.00	1.03	0.75	538
30 X 20	750 X 500	25.00	10.00	1.03	0.80	549
30 X 24	750 X 600	25.00	10.00	1.03	0.89	719
30 X 30	750 X 750	25.00	10.00	1.03	1.03	1193
36 X 24	900 X 600	28.00	12.00	1.15	0.89	943
36 X 30	900 X 750	28.00	15.00	1.15	1.03	1204
36 X 36	900 X 900	28.00	15.00	1.15	1.15	1574
42 X 30	1050 X 750	31.00	11.75	1.28	1.03	1547
42 X 36	1050 X 900	31.00	19.00	1.28	1.15	1907
42 X 42	1050 X 1050	31.00	21.00	1.28	1.28	2375
48 X 36	1200 X 900	28.00	14.00	1.42	1.15	2003
48 X 48	1200 X 1200	34.00	18.00	1.42	1.42	2978

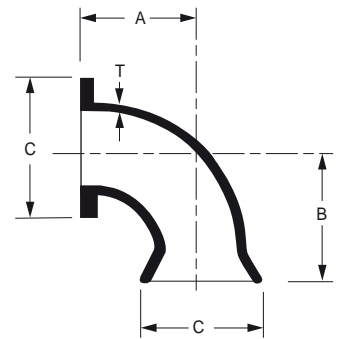
EXTREMIDAD BRIDA CAMPANA



Diámetro Nominal		Dimensiones Generales				Peso
		T	C	L	R	
Pulgadas	Milímetros	Pulgadas				Kilogramos
3	75	0.48	7.50	8.00	6.00	9
4	100	0.52	9.00	8.00	6.00	14
6	150	0.55	11.00	8.00	6.00	18
8	200	0.60	13.50	10.00	8.00	32
10	250	0.68	16.00	10.00	10.00	43
12	300	0.75	19.00	12.00	12.00	70
14	350	0.66	21.00	12.00	14.00	75
16	400	0.70	23.50	14.00	16.00	109
18	450	0.75	25.00	14.00	18.00	125
20	500	0.80	27.50	13.00	20.00	161
24	600	0.89	32.00	16.00	24.00	218
30	750	1.03	38.75	15.00	30.00	499
36	900	1.15	46.00	14.00	36.00	662
42	1050	1.28	53.00	12.00	42.00	794
48	1200	1.42	59.50	18.00	48.00	1077

CODO 90° BRIDA - CAMPANA

Diámetro Nominal		Dimensiones Generales				Peso
Pulgadas	Milímetros	T	C	A	B	Kilogramos
3	75	0.48	7.50	5.50	11.00	14
4	100	0.52	9.00	6.50	12.00	20
6	150	0.55	11.00	8.00	12.00	34
8	200	0.60	13.50	9.00	14.00	54
10	250	0.68	16.00	11.00	17.00	88
12	300	0.75	19.00	12.00	18.00	125
14	350	0.66	21.00	14.00	21.50	141
16	400	0.70	22.50	15.00	23.00	179
18	450	0.75	25.50	16.50	25.00	225
20	500	0.80	27.50	18.00	27.00	286
24	600	0.89	32.00	22.00	32.50	451
30	750	1.03	38.75	25.00	36.00	894
36	900	1.15	46.00	28.00	38.00	1238
42	1050	1.28	53.00	31.00	35.00	1451
48	1200	1.42	59.50	34.00	46.00	2375



CODO RADIO AMPLIO DE 90° BRIDA CAMPANA

Diámetro Nominal		Dimensiones Generales				Peso
Pulgadas	Milímetros	T	C	A	B	Kilogramos
4	100	0.52	9.00	9.00	14.50	23
6	150	0.55	11.00	11.50	15.50	41
8	200	0.60	13.50	14.00	19.00	70
10	250	0.68	16.00	16.50	22.50	113
12	300	0.75	19.00	19.00	25.00	170
14	350	0.66	21.00	21.50	29.00	181
16	400	0.70	23.50	24.00	32.00	240
18	450	0.75	25.00	26.50	35.00	306
20	500	0.80	27.50	29.00	38.00	392
24	600	0.89	32.00	34.00	44.50	606
30	750	1.03	38.75	41.50	48.50	993
36	900	1.15	46.00	49.00	56.00	1572
42	1050	1.28	53.00	56.50	63.50	2336
48	1200	1.42	59.50	64.00	71.00	3050

